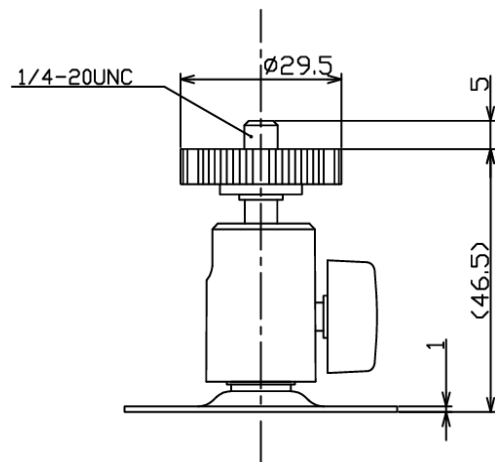
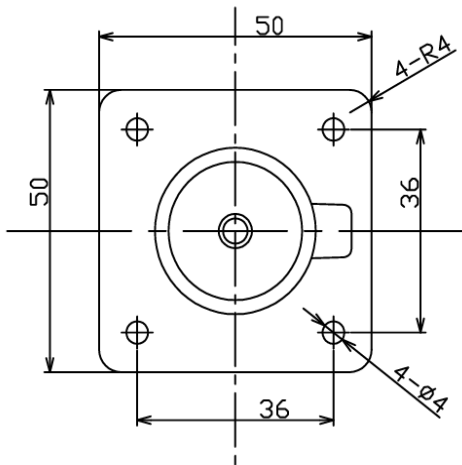


SPECIFICATIONS

Model	MS50
Material	Aluminum
Screw	U 1/4
Dimensions	50(W)×50(H)×50(D) mm
Weight	Approx. 90g

※Design and specifications are subject to change without notice.

DIMENSIONS (mm)



RANGE OF MOVEMENT

