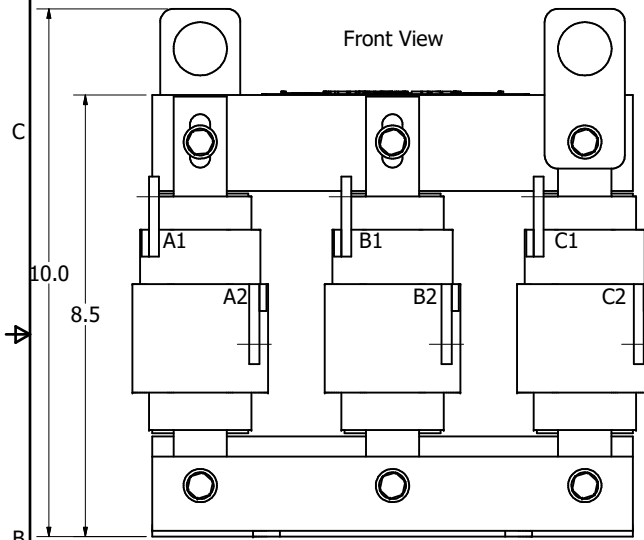
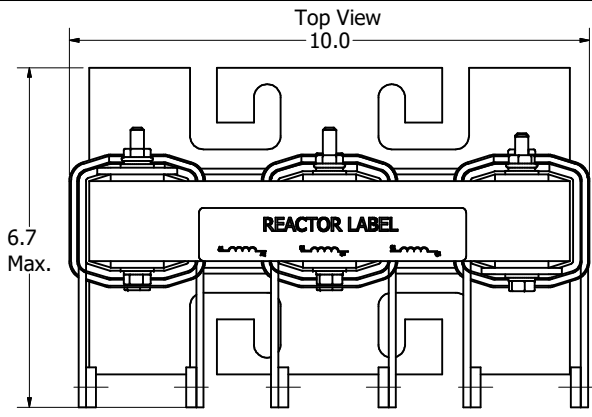
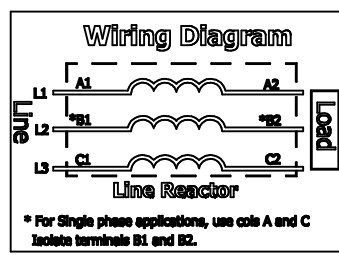
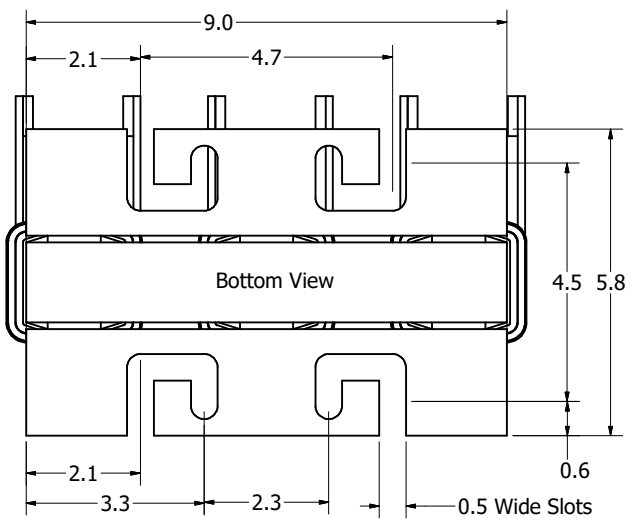
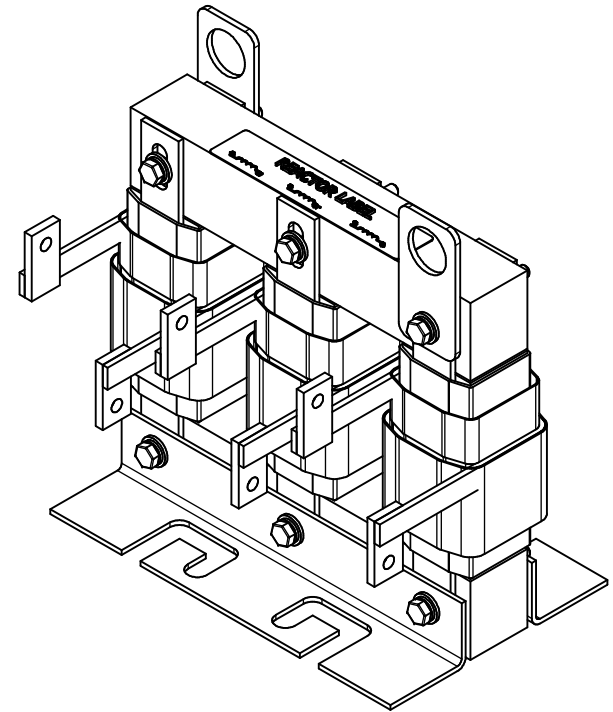
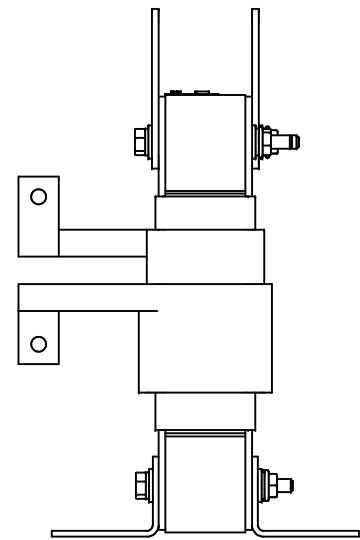


480 Rated Voltage, 600 Max Voltage, Output				
Part Number	Amps (A)	Inductance (uH)	Weight (LBS)	Terminal Hole Diameter (Inches)
KLR130BCB	130	80.2	30	0.28



(Customer Connections)
Markings On Coils
For Reference Only.



- Notes:
1. Material(s) Shall be RoHS Compliant
 2. Customer Is Responsible For Installation To Meet All National And Local Electrical Codes.

THE INFORMATION AND DESIGNS CONTAINED IN THIS DRAWING ARE CONFIDENTIAL AND THE PROPRIETARY PROPERTY OF ALLIED MOTION TECHNOLOGIES INC. AND ITS SUBSIDIARIES. NEITHER THIS DESIGN NOR ANY INFORMATION CONTAINED IN THIS DRAWING MAY BE REPRODUCED OR DISCLOSED TO OTHERS WITHOUT THE EXPRESS WRITTEN CONSENT OF ALLIED MOTION TECHNOLOGIES INC. AND ITS SUBSIDIARIES.				TOLERANCES (EXCEPT AS NOTED)	
				DECIMAL	
				.XX ± .25	
				.XXX ± .10	
B	6535, Term flag 32766	1/22/2024	DSW	FRACTIONAL	
A	6394 was bushar	8/28/2023	DSW	± 1/32	
NO	REVISION	DATE	BY	ANGULAR ± 1°	