



RVC100-70 100 Watt, 70V Rotary Speaker Volume Control

P/N 38164

Quick Install Guide

INTRODUCTION

The RVC100-70 is an in-wall, inline volume control for 70V music systems. It features 11 volume positions with make before break contacts. It supports a maximum load of 100 watts and can fit into a single gang junction box.

PACKAGE CONTENTS

Please take an inventory of the package contents to ensure you have all the items listed below. If anything is missing or damaged, please contact Monoprice Customer Service for a replacement.

- 1x RVC100-70 volume control
- 2x Silver 6-32 Mounting Screws
- 3x Decora Wall Plates (white, ivory, and almond)
- 3x Decora Inserts (white, ivory, and almond)
- 3x Knobs (white, ivory, and almond)
- 6x Painted Plate Screws (white, ivory, and almond)
- 1x Quick Install Guide

INSTALLATION GUIDELINES

- Check your local building and fire rating code for low-voltage device installation and wiring requirements before you begin your installation.
- Even if allowed by local building codes, we do not recommend installing volume controls in the same box as high voltage wiring controls, such as dimmers or switches.
- Maintain at least one stud bay of separation between any speaker wiring or volume controls and high voltage cable or controls to avoid interference.
- Always test fit volume controls to the boxes planned for use before installing the boxes.

INSTALLATION

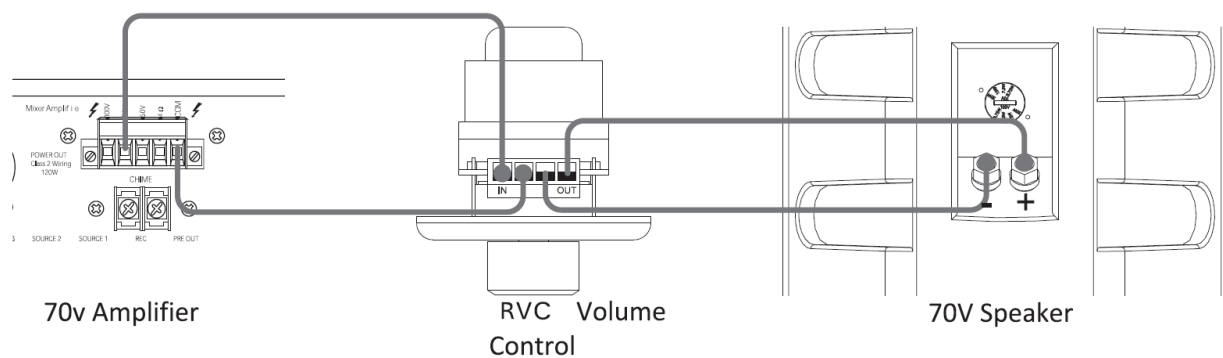
Perform the following steps to install this volume control into a 70V audio system.

1. Turn off and unplug the amplifier from its power source.
2. Strip about 1/4" of insulation from each wire that is to be connected to the volume control, then twist the ends so there are no stray wire strands.
3. Using a small Phillips or flathead screwdriver, loosen the screws for the **IN** and **OUT** terminals on the volume control.
4. Insert the wires for the first speaker connection into the **OUT** terminals on the volume control, taking care to maintain proper polarity, then tighten the screws for the **OUT** terminals using a small Phillips or flathead screwdriver.
5. Connect the other end of the speaker wire to the terminals on the speaker, taking care to maintain proper polarity.
6. Insert the wires from the amplifier into **IN** terminals on the volume control, taking care to maintain proper polarity, then tighten the screws for the **IN** terminals using a small Phillips or flathead screwdriver.
7. Connect the other end of the speaker wire to the terminals on the amplifier, taking care to maintain proper polarity.

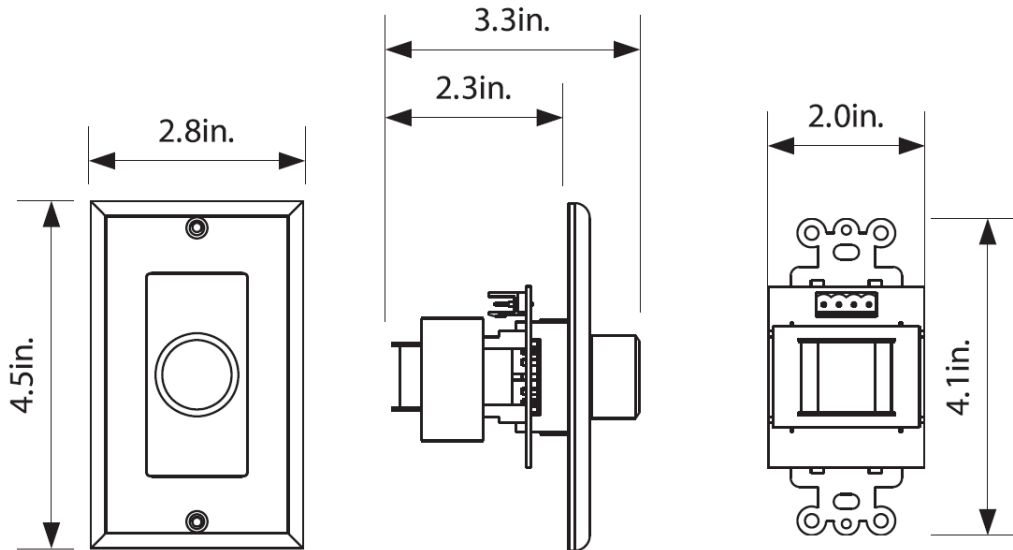
8. Inspect all connections to ensure that there are no stray wire strands.
9. Install the volume control into a wall box or ring using the two included **Silver 6-32 Mounting Screws**. Do not force the volume control into the box to ensure that the connections do not come loose.
10. Place one of the **Decora Wall Plates** over the volume control and secure it in place with the appropriate **Painted Plate Screws**.
11. Install the appropriate colored knob onto the volume control shaft.
12. Set the volume control on the amplifier to the minimum level.
13. Turn the volume control knob fully clockwise to the full **ON** position.
14. Plug in and power on the amplifier, then start playback of audio material.
15. Slowly increase the volume c on the amplifier until the audio volume is at the maximum level you would want to listen at. If distortion can be heard, reduce the volume level on the amplifier until no distortion can be heard.

Congratulations, you have successfully installed the volume control!

SAMPLE CONNECTION DIAGRAM



DIMENSIONS



SPECIFICATIONS

Model	38164
Frequency Response	20Hz ~ 20kHz ± 0.5 dB with typical 70V load
Total Harmonic Distortion	< 1%
Power Rating	100 watts RMS
Maximum Speaker Load @70V	100 watts
Wire Connector	Removable screw clamp
Maximum Supported Wire Gauge	12 AWG
Rotary Switch	11 position rotary switch with make-before-break contacts
Attenuation Levels	OFF, 2 steps @6dB, 7 steps @3dB, ON
Mounting	Fits most standard electrical junction boxes