

This information is brought to you by:

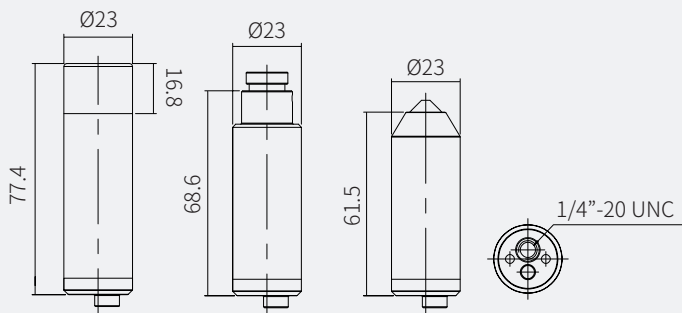


EX-SDI Camera

KTC-HMB7823-HWX

- 1/2.8" SONY EXMOR R Progressive Scan CMOS
- 1080p(1920x1080)@30(25)fps
- HD-SDI(100m@RG59)/EX-SDI1.0(300m@RG59)/CVBS
- Fixed lens 3.6mm
- Electronic Day&Night
- 3D DNR, Defog
- 23Φ Bullet Camera

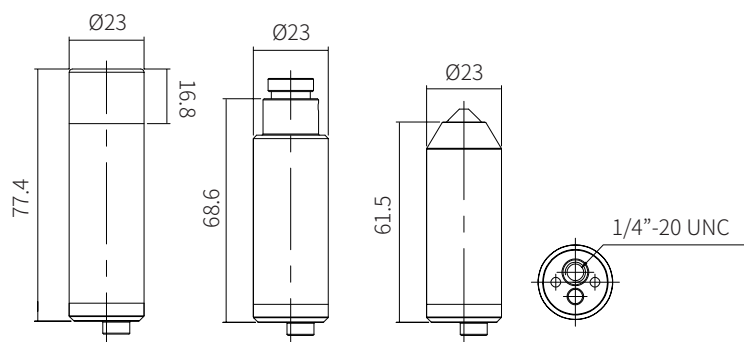
Aegis Electronic Group
www.aegiselect.com



KTC-HMB7823-HWX

Dimensions

Unit : mm



Specifications

Image Sensor	1/2.8" SONY EXMOR R Progressive Scan CMOS	Privacy Mask	16 Zones
Effective Pixels	1945(H) x 1097(V)	Image Rotation	OFF/H-FLIP/V-FLIP/HV-FLIP
Max. Video Resolution	HD-SDI/EX-SDI1.0: 1080p@30fps(25fps)/720p@60fps(50fps)/720p@30fps(25fps) TV out: CVBS NTSC/PAL	Defog	OFF/ON(AUTO/MANUAL)
Type	Fixed lens	Sharpness	Adjustable(0~10)
Lens	Focal Length 3.6mm, F 2.0	OSD control	JOYSTICK,RS-485 Control
	Angle of View 112.3(D)x93.7(H)x49.3 (V)	Language	English,Chinese,Chinese(s),Janpanese
Min.Illumination	0.1Lux(F2.0, AGC20dB, DSS:x2)	Video Output mode	HD-SDI/EX-SDI1.0/CVBS
IR LEDs	-	General	
IR Range	-	IP Rating	IP67 (WaterProof Cap Housing only)
White Balance	AUTO/PUSH LOCK/MANUAL	Operating Temperature	-10°C~+50°C
Dynamic Range	WDR/BLC OFF/BLC/HLC	Storage Temperature	-20°C~+60°C
	D-WDR	Dimension(mm)	23.0(Ø) x 77.5(WaterProof Cap Housing only)
	Level	Weight	Approx. 90g
Electronic Shutter Speed	AUTO/FLICKER/MANUAL/(1/30(25)~1/30,000)	Power Source	12VDC(±10%)
Digital Slow Shutter(DSS)	OFF~ x32	Power Consumption	Max.190mA@12VDC
Auto Gain Control(AGC)	OFF~42dB	Option	
Day&Night	AUTO/COLOR/B&W (Electronic D&N)	Power Source	-
Noise Deduction	3D-DNR(OFF/Low/Middle/High)	Power Consumption	-
Motion Detection	OFF/ON(4 Zones)	Lens	KTC-HMB7823-HB: 3.6mm, non waterproof type KTC-HMB7823-HP4: 4.3mm Pinhole