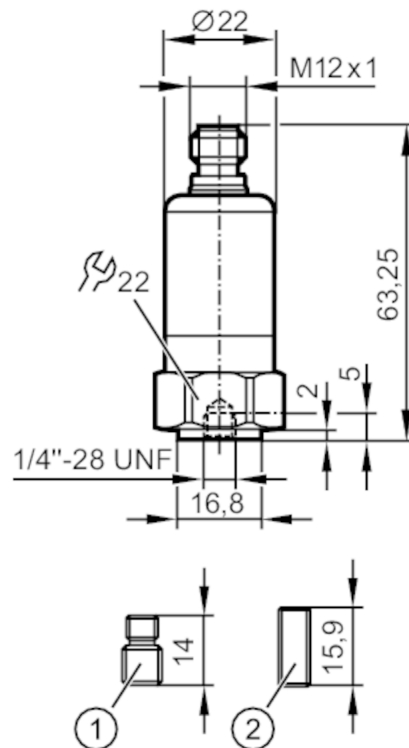


VTV12A



Vibration transmitter

VIBRATION TRANSMITTER



- 1 set screw 1/4"-28 UNF / M8 x 1.25 mm
 2 set screw 1/4"-28 UNF
 Tightening torque 8 Nm



Product characteristics

Measuring range of vibration [mm/s]	0...25; (RMS)
Frequency range [Hz]	10...1000

Application

Application	Vibration transmitter to ISO 10816
-------------	------------------------------------

Electrical data

Operating voltage [V]	9.6...32 DC
Protection class	III
Type of sensor	Microelectromechanical system (MEMS)

Inputs / outputs

Total number of inputs and outputs	1
------------------------------------	---

Outputs

Analog current output [mA]	4...20
Max. load [Ω]	$< (U_b - 9,6 \text{ V}) \times 50$; $U_b = 24 \text{ V}$: 720

Measuring/setting range

Measuring range of vibration [mm/s]	0...25; (RMS)
Frequency range [Hz]	10...1000

VTV12A



Vibration transmitter

VIBRATION TRANSMITTER

Number of measurement axes	1
----------------------------	---


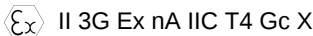
Accuracy / deviations

Measuring error [% of the final value]	< ± 3
Repeatability	< 0,5; (% of the final value)
Linearity deviation	0,25 %

Operating conditions

Ambient temperature [°C]	-20...60
Protection	IP 67; (when used outside the hazardous area: IP 69K)

Tests / approvals

ATEX marking		
		
EMC	EN 61000-6-2	
	EN 61000-6-3	
Shock resistance	DIN EN 60068-2-27	50 g 11 ms
		500 g 1 ms
Vibration resistance	DIN EN 60068-2-6	20 g / 10...3000 Hz
MTTF [years]	868	

Mechanical data

Weight [g]	139
Type of mounting	set screw
Material	stainless steel (1.4404 / 316L)
Tightening torque [Nm]	8

Accessories

Items supplied	set screw: 1/4"-28 UNF / M8 x 1,25 mm
	set screw: 1/4"-28 UNF

Remarks

Pack quantity	1 pcs.
---------------	--------

Electrical connection

Connector: 1 x M12

1	L+
2	4...20 mA

Electrical connection - plug



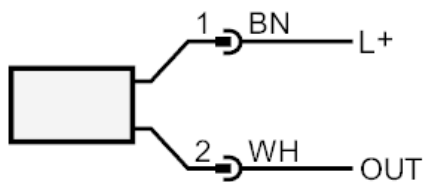
VTV12A



Vibration transmitter

VIBRATION TRANSMITTER

Connection



1	L+
2	4...20 mA