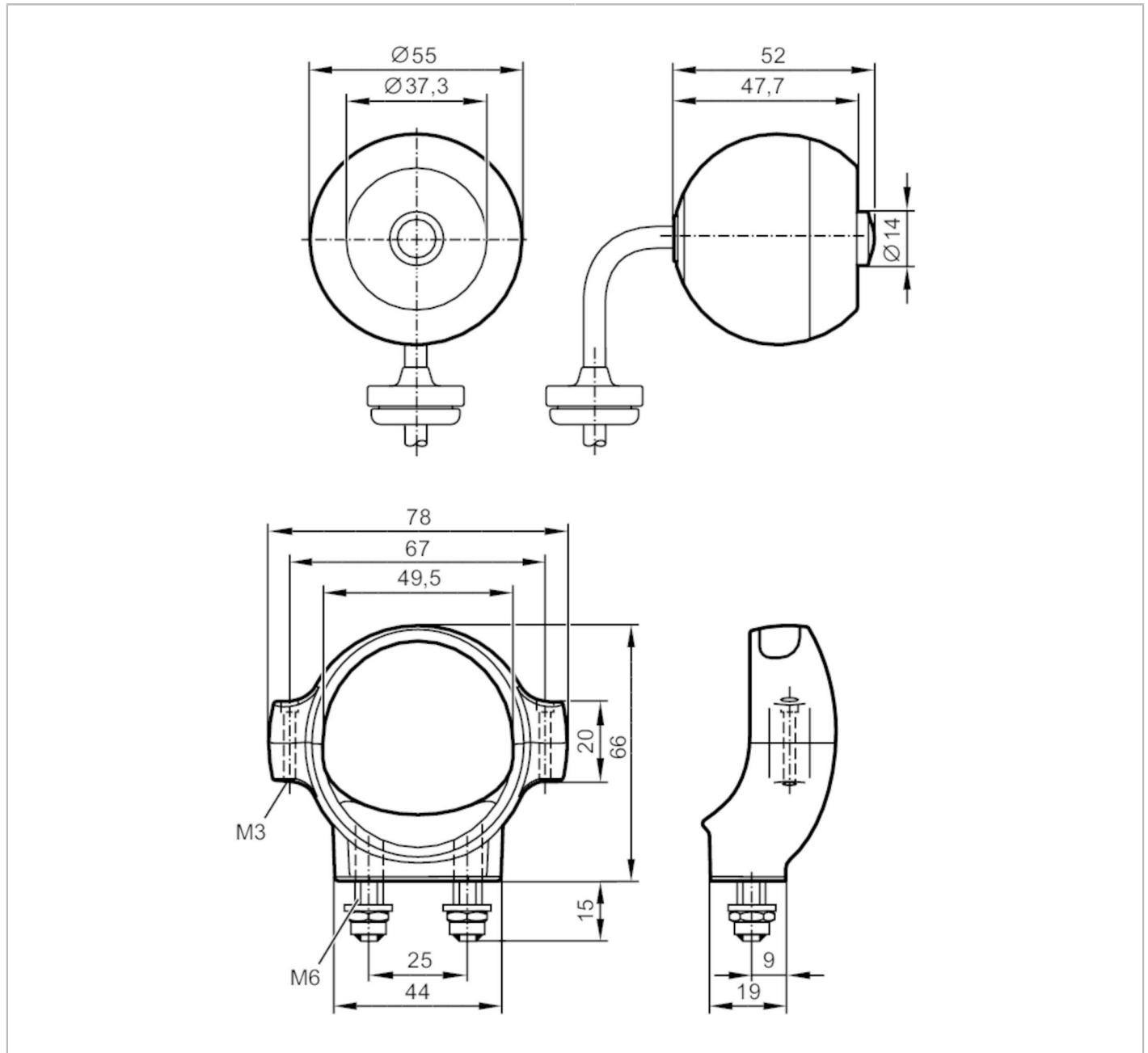


O2M210



Analog camera for mobile machines

O2MXOOKG/A1/GM/170



Product characteristics		
Image resolution	[px]	640 x 480
Angle of aperture	[°]	170 x 117
Application		
System		screened cable
Electrical data		
Operating voltage	[V]	12...32 DC
Current consumption	[mA]	< 280; (with lens heating)
Overvoltage protection		yes
Image sensor		1/4" 4:3 VGA CMOS image sensor color
Switch-on peak current	[mA]	1000

O2M210



Analog camera for mobile machines

O2MXOOKG/A1/GM/170

Switch-on peak current duration	[ms]	2
---------------------------------	------	---

Outputs

Video output	PAL (25 fps interlace) 720H x 576V (640 x 480), 1 Vtt / 75 Ω
--------------	--

Monitoring range

Field of view size	[mm]	Operating distance [m]	Field of view [m]		
		1	22,86 x 3,26		
		2	45,72 x 6,53		
		3	68,58 x 9,79		
		4	91,44 x 13,05		
		5	114,30 x 16,32		
Image resolution	[px]	640 x 480			
Angle of aperture	[°]	170 x 117			
Light sensitivity	[LUX]	< 0.05			
Dynamic range	[dB]	> 80			

Operating conditions

Ambient temperature	[°C]	-40...85
Storage temperature	[°C]	-40...100
Protection		IP 67; IP 69K

Tests / approvals

EMC	DIN EN 61000-6-4	industrial environments
	DIN EN 61000-6-2	industrial environments
	UN-ECE R10	
Shock resistance		50 g
Vibration resistance	Frequency range 24...2000 Hz	(15.3 x 9.81 m/s ²)rms
	PSD (g ² /Hz)	0.04...0.1
Salt spray test	IEC 60068-5-52	

Mechanical data

Weight	[g]	303
Dimensions	[mm]	Ø 55 / L = 52
Material		housing: PC/ABS; front lens: polyamide reinforced glass-fiber

Accessories

Items supplied	Mounting set., E2M210
	screws: 2 x M6 x 20
	washers
	Nuts: 2 x M6, self-locking
	anti-slide pad

Remarks

Pack quantity	1 pcs.
---------------	--------

O2M210



Analog camera for mobile machines

O2MXOOKG/A1/GM/170

Electrical connection

Cable: 0.5 m, screened

Connector: 1 x M16; coding: A; Shielded connection cable: shield connected



1	coax cable core video signal
2	coax screen video GND
3	U+
4	0 V