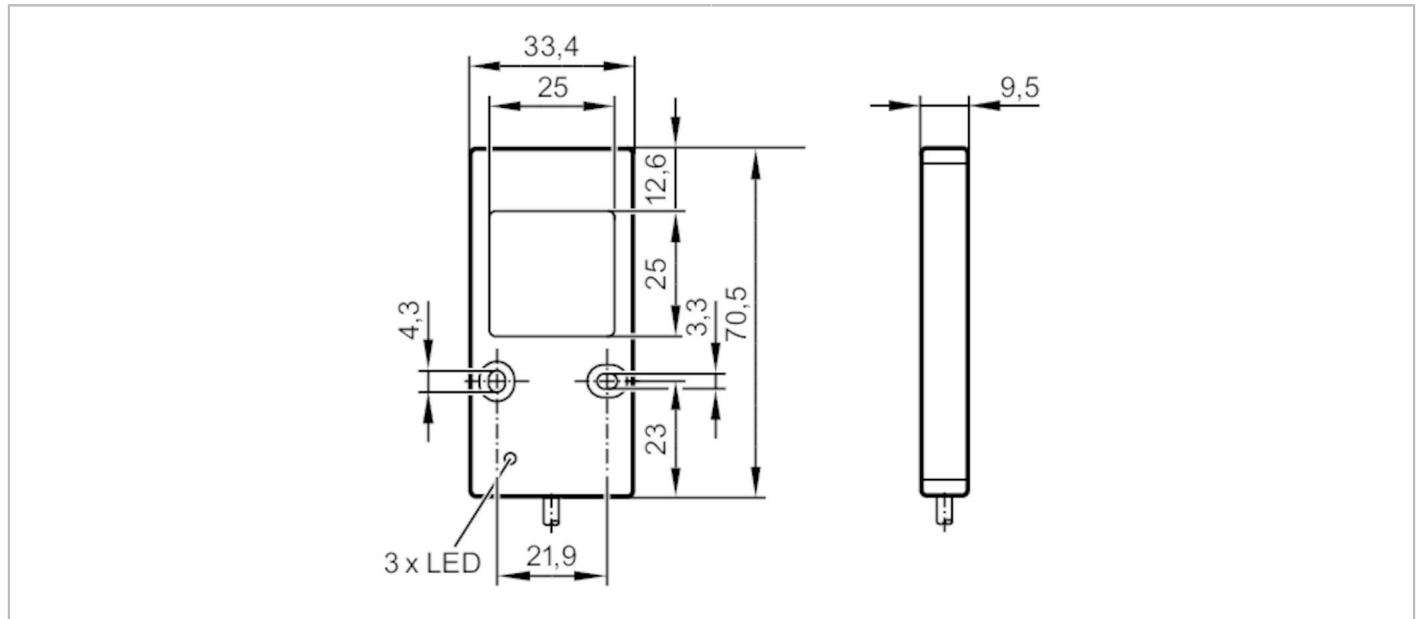


O2D940



External illumination

BACKLIGHT 25X25 RT/0,3M/US



Product characteristics		
Type of light		red light
Application		
System		gold-plated contacts
Illuminated field	[mm]	25 x 25
Design		backlight
Type of operation		Permanent light or pulse operation
Electrical data		
Operating voltage tolerance	[%]	-10...10
Operating voltage	[V]	24 DC
Current consumption	[mA]	< 80
Protection class		III
Type of light		red light
Wave length	[nm]	617
Inputs		
Trigger		5...24 V
Operating conditions		
Ambient temperature	[°C]	-10...50
Protection		IP 54
Overheat protection		yes; (> 50 °C)
Tests / approvals		
Photobiological safety		exempt group; (EN 62471)
MTTF	[years]	310
Mechanical data		
Weight	[g]	162.6
Dimensions	[mm]	70.5 x 33.4 x 9.5

O2D940



External illumination

BACKLIGHT 25X25 RT/0,3M/US

Material	aluminum
Lens material	glass

Displays / operating elements

Display	Illumination status	1 x LED, yellow
	Power	1 x LED, green
	Excess temperature / overload	1 x LED, red

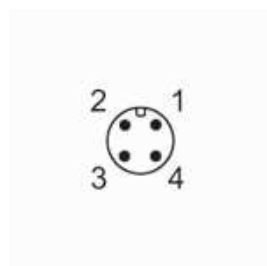
Remarks

Pack quantity	1 pcs.
---------------	--------

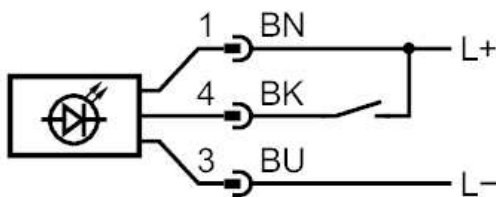
Electrical connection

Cable: 0.30 m, PUR

Connector: 1 x M12; coding: A; Contacts: gold-plated



Connection



- 1 L +
- 3 L -
- 4 Trigger

Core colors :
BK = black
BN = brown
BU = blue