

WB-PSTSC-70-G3

Your Ultimate Wall Plate Security Solution



FSR

Metal Products Group

WB-PSTSC-70-3G



Fits Q-SYS TSC-70-G3 touch screen controller



DESCRIPTION

In today's digital age, network security is paramount, and ensuring the integrity of your network connections is crucial. That's where the WB-PSTSC-70-G3 comes into play—a custom wall box designed to safeguard the Q-SYSs TSC-70-G3 controller's network connections.

This custom solution has a locking metal door, clear acrylic window, and is compatible with the Q-SYS TSC-70-G3 and other controllers designed to mount on a 2-gang electrical box with a maximum screen size of 8"W x 4.7"H x .96"D. The WB-PSTSC-70-G3 enables you to monitor the controller's status through its glass window without opening the locked cover. The acrylic glass provides perfect visibility to the controller's wide-format, high-definition 24-bit color display.

Tailored for Q-SYSs TSC-70-G3 High-Definition Touch Screen Controller

The WB-PSTSC-70-G3 is custom-built to secure and protect the Q-SYS TSC-70-G3 high-definition touch screen controller. This controller is renowned for its projective capacitive (PCAP) multi-touch surface and 24-bit color display, ensuring a superior user experience.

Enhanced Protection and Accessibility

For enhanced protection against theft or damage, this surface mount wall box has a locking metal door, providing an effective barrier against unauthorized access. The locking metal door ensures maximum protection, enhancing security and giving you peace of mind.

Aesthetically Pleasing

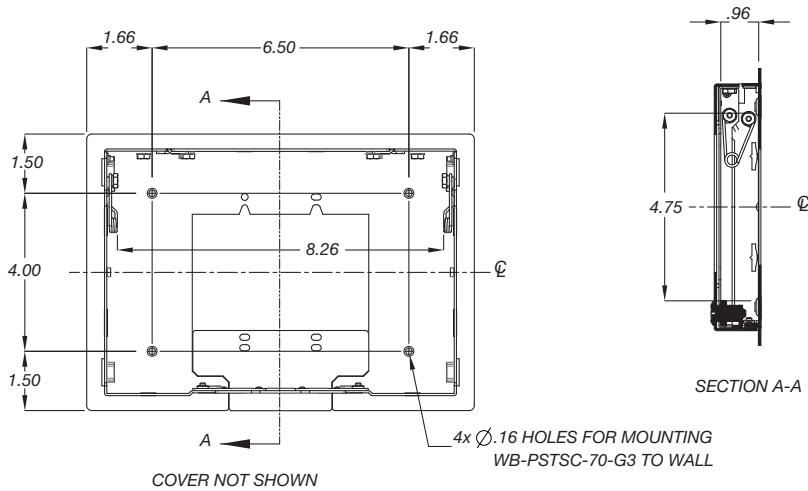
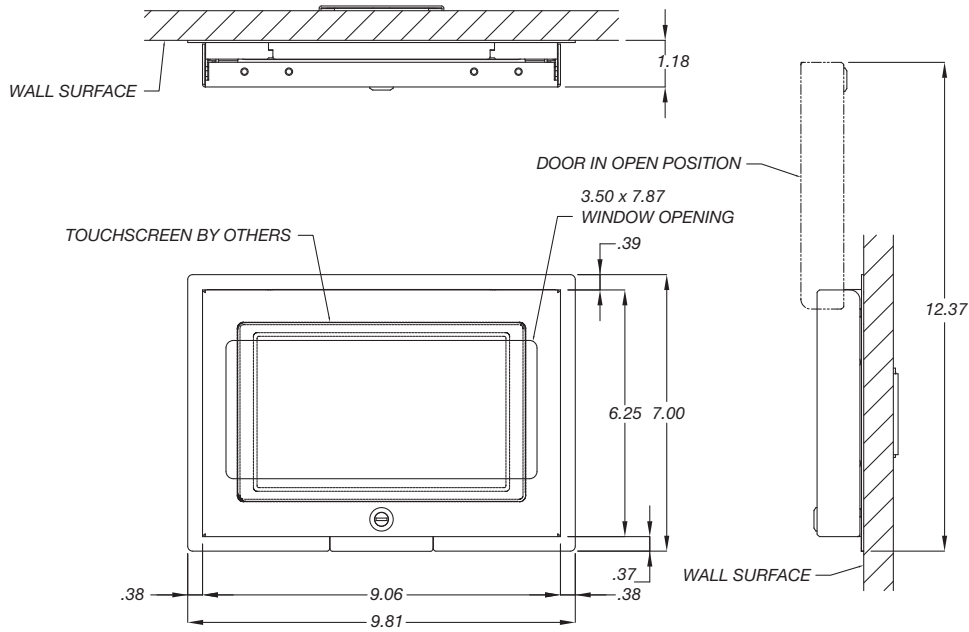
Designed to blend seamlessly with any environment, the WB-PSTSC-70-G3 boasts a sleek, low-profile design. Its flip-up door lays flat against the wall when open, providing users unencumbered access to the front panel, making maintenance and operation hassle-free.

FEATURES

- Customized to fit the Q-SYS TSC-70-G3 High-Definition Touch Screen Controller
- Mounts a variety of small 2-gang controllers
- Low-Profile Surface wall box
- Locking metal door
- Clear acrylic window
- Monitor the status of the control panel without opening door
- Secure and protect wall plates or data plates

APPLICATIONS

- Schools
- Hotels
- Conference Centers
- Airports
- Arenas
- Houses of Worship

WB-PSTSC-70-G3 DRAWING

MAXIMUM SCREEN SIZE - 8.00"W x 4.70"H x .925"D

ORDERING INFORMATION

ITEM	PART #	DESCRIPTION
18600	WB-PSTSC-70-G3	TSC-70-G3 Touchscreen wall box with locking cover and window in white