



DuraBrite Gen2 Pro takes everything you thought possible about marine lighting and elevates it to a new level of brilliance. Our flagship model, delivers an awe-inspiring 75,000 lumens – 3X the optical power of the *Gen2 Mini* – while maintaining the same compact size as the *Original Pro Series*. This leap in performance, unmatched by any competitor, is a testament to our pioneering expertise in thermal management and our patented LED board technology. The result is a breakthrough in heat dissipation that allows for unprecedented power in a lightweight, compact housing.

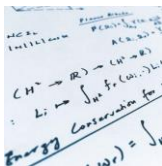
With the *Gen2 Pro*, you get the same lumens output of three *Original Pro* units in just two, and with enhanced penetration power. The beam slices through air and mist, illuminating hazards well before they pose a danger, giving boat captains the

confidence to navigate even the most treacherous waters with ease. And while other companies rely on hundreds or even thousands of LEDs to reach similar output, we achieve it with just a handful – making the *Gen2 Pro* as efficient as it is powerful.

Engineered for extreme environments, the *Gen2 Pro* now includes a built-in SOS function, turning its raw power into a lifesaving tool. When visibility is critical, this light ensures you can be seen from the farthest reaches of the sea, enhancing both safety and peace of mind.

When paired with our *Pro Glare Control Shield*, you can maximize beam precision and eliminate bow glare. This combination transforms the light into an advanced optical tool for detecting obstacles and objects, while also functioning as a highly potent yet efficient searchlight.

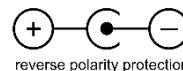
Gen2 Pro – Engineered for Clarity. Built to Dominate.



Light Shaping Technology

75
thousand
lumens

Class Defining Optical Output



reverse polarity protection

Reverse Polarity Protection



over temp protection

Expert Thermal Management



Wireless Control Ready

SOS
far field

Lifesaving Distressed Signal



US Patent 9,648,750



Extreme Weather Resistance



Designed & Assembled In USA

Optical & Electrical Characteristics (All ratings are at 25°C unless otherwise specified)

LED Color, CCT	Typical = 5700K (Daylight white)
Brightness, dimmable	75,000 lm (Raw)
Beam Angle	25 deg (Spot) 76 deg (Flood)
Operating Voltage	Auto detect 24VDC – 48VDC
Current Draw	Approx. 13A at 48VDC Approx. 27A at 24VDC
Total Power Consumption	650W

Mechanical Qualifications

Water Resistance	IP68 <small>(submerged to 4.5 ft water for 30min)</small>
Moisture Resistance	65°C / 95% RH Mil-Std-883 TM 1004.7
Salt Spray / Corrosion Resistance	240 hrs @ 35°C ASTM B 117-09 /ASTM D1654-08
Temperature Range	-40°C to 55°C Mil-Std-883 TM1010.8
Mechanical Shock	30G, 11ms Half Sine, 3-axes (+ve/-ve) Mil-Std-202 TM213B
Vibration Resistance	100,000 cycles, 3-axes ANSI C136.31

Warranty Terms

We stand behind our products. This product is covered by DuraBrite's 10 Year Limited Warranty against material and manufacturing defects. However, it does not cover application and conditions that are outside of the product design parameters, abuse, and wear-and-tear. Further details can be found on our website at: <https://durabritelights.com/pages/warranty>

Special Note on Bracket Installation & Corrosion Prevention

The bracket that comes with the Pro is laser cut with Marine Grade 316 Stainless Steel. It is further electropolished and coated with DuraBrite's **Ceramax Ultra Coat** to achieve superior corrosion resistance. Nevertheless, with a 9H coated surface, it does not mean it is corrosion proof. It can still rust if the ceramic coat barrier is broken and there is a buildup of salt on its surface over a prolonged period of time in a marine environment.

Care should be taken to prevent scratching at the mounting locations (e.g. by means of Nylon washers). You will notice a set of Nylon washers that are pre-installed in between the light and the bracket (one on each side). Make sure you keep them in place to minimize interaction and/or scratching between the two metals as you tighten and adjust the angle. The light body is made of aluminum and coated with a hard anodize, which by design, offers excellent protection. But if the bare metals come in contact due to scratching, galvanic corrosion will take place.

A Note on Input Voltage

- Due to the high power nature of the unit, out of practicality for cable size, we recommend you to use 24VDC or higher power input to keep the cable gauge reasonable. Nevertheless, this model technically will power up at 12VDC also. The Gen2 Pro operates at 48VDC and that's the recommended input voltage.
- If you have a 12VDC, a 12 to 48V DC-DC booster can be requested from factory.
- If you plan to power the Gen2 Pro using your gen set, you will need to buy a AC-DC adaptor, which will convert your 110VAC to a 48VDC as the input to the Control Box for optimal performance. AC adaptor is available for purchase on our website.

Wiring Instruction:

TBD

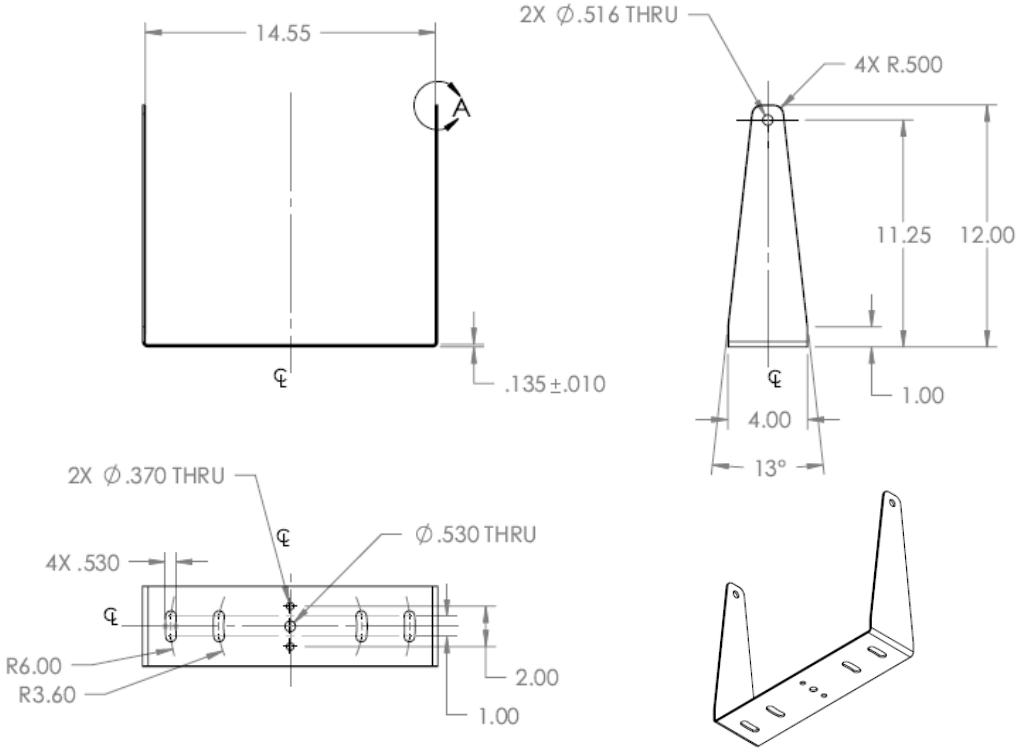
Mechanical Dimensions & Weight:



Thickness = 3.59"

Weight: 32 pounds
(w/ marine grade 316 SS bracket)

Mounting Bracket – Marine Grade 316 Stainless Steel



IP67 Panel Mount Dimming Knob

