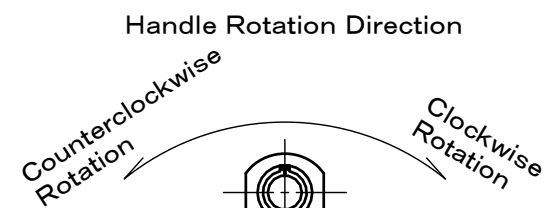


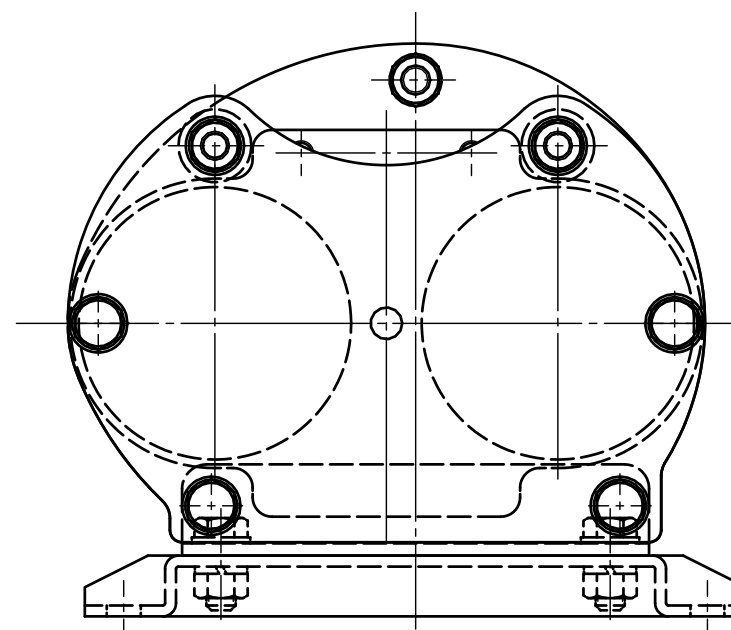
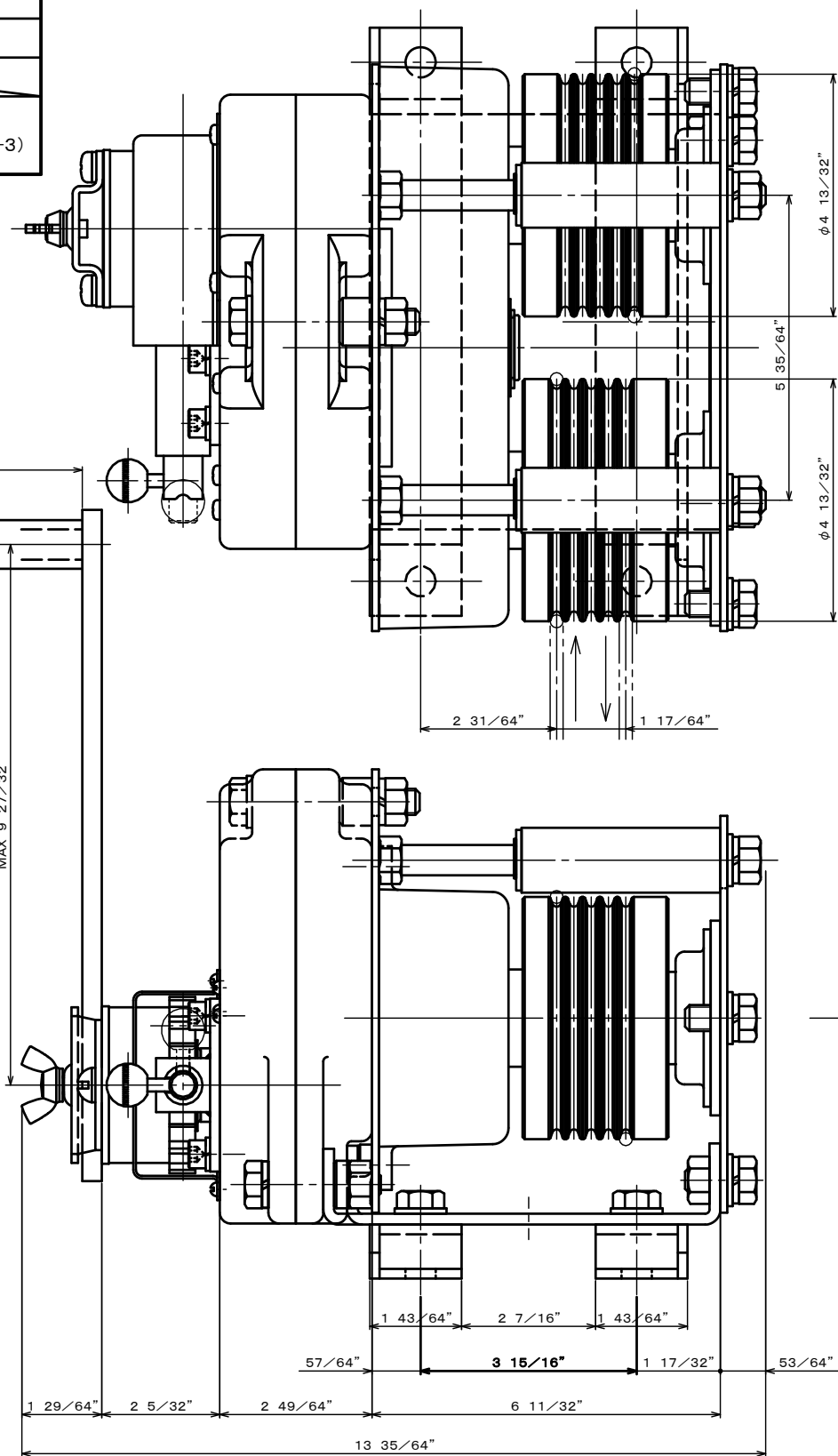
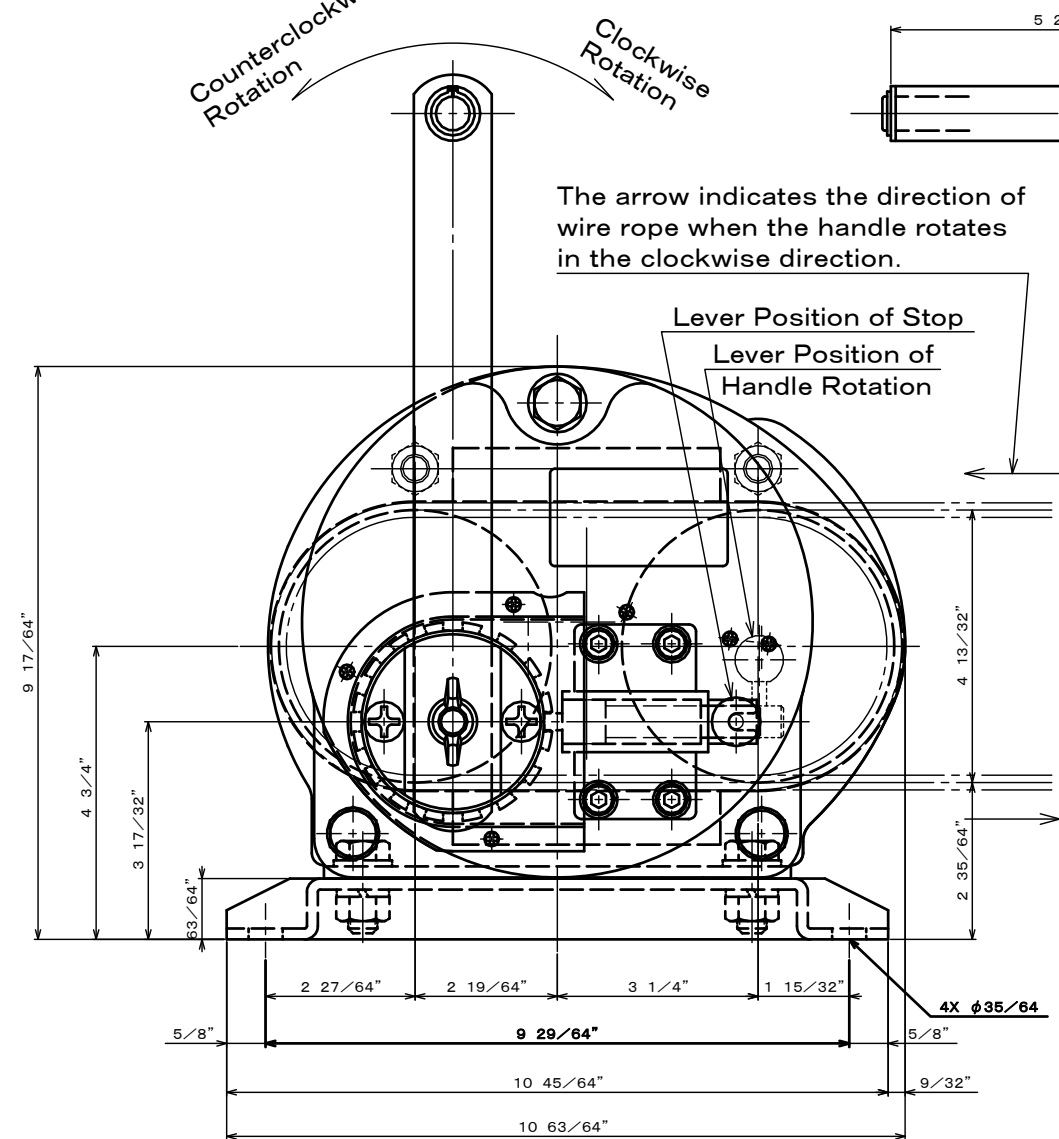
Specifications		(The wire rope composition is a manufacturer recommendation.)	
Wire Rope Tension	1,100 lbs (=500 kgf)	Handle Length	9 27/32"
Wire Rope	φ 1/4" (6 × 36)	Wire Rope Tension	1,100lbs
Gear Ratio	1 / 13.3	Standard Accessories	One Handle
Handle Length	9 27/32" (Maximum)	Painting	Baked Enamel, Two Coats Painting Color Drum : Dark Gray (Munsell N-3) Others : Silver Metallic
Weight	About 66.1kg (Body+Handle)		

- ※The brake of this winch is manually operated latching stopper brake.
Release the stopper brake when you do handle operation.
- ※The latching brake is for horizontal pulling work only.
This winch cannot be used for lifting work.
Never use for lifting work, it could result in accident or failure.



The arrow indicates the direction of wire rope when the handle rotates in the clockwise direction.

Lever Position of Stop
Lever Position of Handle Rotation



4 X		図面番号/DRAWING No.	ME5L-180402-01U	改訂番号/REVISION No.	00	お客様/CUSTOMER		符号/MARK	項目/PARTICULARS	材料/MATERIAL	数量/QTY	単体重量(kg)/TOTAL WEIGHT	備考/REMARKS
3 X		承認/APPROVED	設計部	検閲/CHECKED	設計部	作成/DRAWN	設計部	投影法/PROJECTION METHOD	第三角法 THIRD ANGLE PROJECTION	MAXPULL MACHINERY & ENGINEERING CO., LTD.			
2 X		承認/APPROVED	設計部	検閲/CHECKED	設計部	作成/DRAWN	設計部	尺度/SCALE	台数/QTY	マックスプル工業株式会社			
1 X		承認/APPROVED	設計部	検閲/CHECKED	設計部	作成/DRAWN	設計部						
改訂/REVISION						図面名/TITLE		MAXPULL ENDLESS HAND WINCH FOR BOTH DIRECTION PULLING MODEL ME-5-L MANUALLY OPERATED LATCHING STOPPER BRAKE					