

3Gbit Three Channel SDI Distribution Amp.

Description

The DVD 5830 is a flexible 3 channel SDI distribution amplifier. There are three sets of 2 outputs which can be freely mapped to the three inputs to obtain the desired functionality. Each channel can be set to reclocking or non-reclocking mode. This module is ideally suited for demanding digital multi-format broadcast and professional applications.

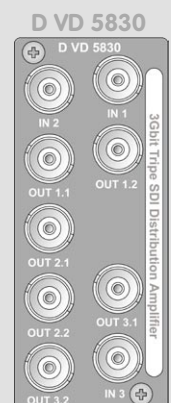
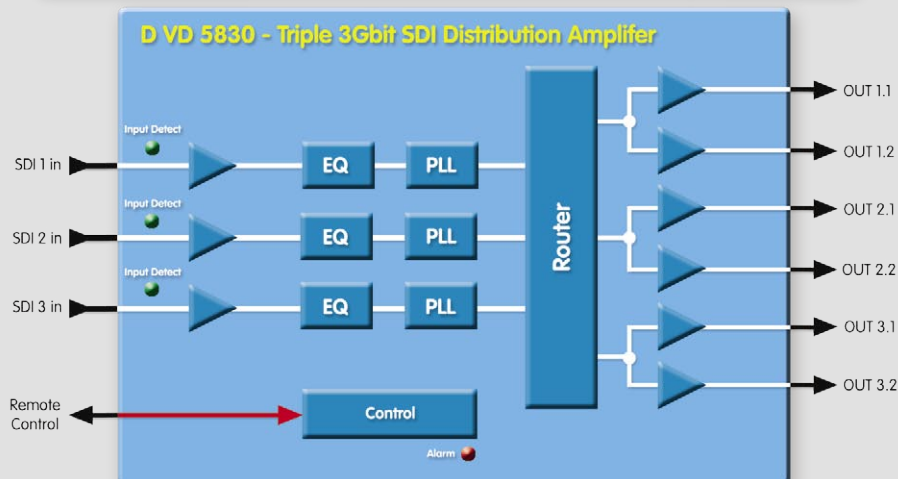
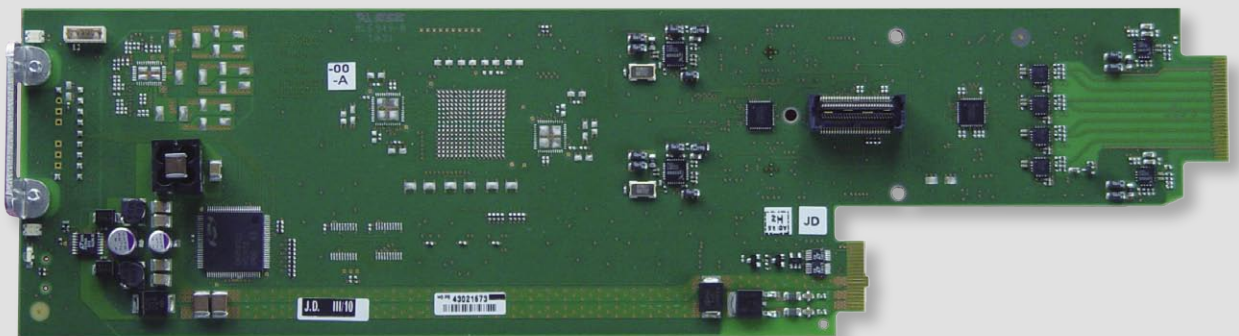
The module auto-detects the input video standard with support for all SDI video formats up to 3Gbit/s. In non re-clocked mode the module will transparently pass any data between 143 Mbit/s and 3Gbit/s. All sdi outputs are non inverting, making it ideal for ASI signal distribution.

Local settings are provided via an integrated dip switch on the card edge.

Remote control, status monitoring and error reporting is possible when using the LYNX control system.

Features

- Supports all SDI video formats
- 3 x SDI inputs and 3 sets of 2 outputs (user mapped)
- Reclocking or non-reclocking mode for each channel
- All SDI outputs are non inverting
- Auto-detect input video standard
- Transparently pass data between 143 Mbit/s and 3Gbit/s in non re-clocked mode.
- Microprocessor controlled with internal flash ram for storing configuration
- Input presence detection with LED indication for each input
- Remote control, status monitoring and error reporting when used with LYNX control system
- Full SNMP support when used with master controller option
- Hot Swappable



Backplane

3Gbit Three Channel SDI Distribution Amplifier

CardModules

Specifications

Video Inputs

Signal Type	Serial Digital Video SMPTE 259M, 344M, 292M, 424M
Video Standard	All formats (270Mbits/s through 2.97Gbits/s)
Input level	0.8 v peak to peak
Input Impedance	75 Ohms
No. Of inputs	3
Connector	BNC
Return loss	> 15dB (1.485 GHz) > 10dB (2.97GHz)

Video Outputs

Signal Type	Serial Digital Video SMPTE 259M, 344M, 292M, 424M
Video standard	Follows input
Output level	0.8 v peak to peak
Output impedance	75 Ohm
No. Of Outputs	6 (3 x 2)
Connector	BNC
Return loss	> 15dB (1.485GHz) > 10dB (2.97GHz)
Jitter	< 0.20 ui (270 MHz) < 0.25 ui (1.485GHz) < 0.30 ui (2.97GHz)

Performance

Cable equalization	Up to 250M using Belden 8281 (270MHz) Up to 140m using Belden 1694A (1.485GHz) Up to 80m using Belden 1694A (2.97GHz)
Control	Local settings using on board dip switches. Remote control possible when used with LYNX controller
Status monitoring (LED)	Signal presence plus general alarm

Operation modes

Re-clocking	Clocked or non re-clocked operation (each channel, selectable)
Signal routing	Integrated 3x3 router (operation via control system)

Electrical Specifications

Operating Voltage	12 VDC
Power Consumption	< 6W
Safety	IEC 60950/ EN 60950/ VDE 0805

Mechanical

Size	283mm x 78mm
Weight	CardModule 120g, connector plate 50g

Ambient

Temperature	5°C to 40°C Maintaining specifications
Humidity	90% Max non condensing

Specifications subject to change

Settings and Control

Local Settings

Re-clocking (each channel)	clocked / non re-clocked
----------------------------	--------------------------

Settings Available from Control System

3 x 3 internal signal router assignments
--

On Board Indicators / LEDs

Input 1 Present / No Input
Input 2 Present / No input
Input 3 Present / No input
General Alarm Indicator – 3 Color

Ordering Information

Model #	Part Number	Description	Includes
D VD 5830	5155105830	3Gbit Three Channel SDI Distribution Amplifier	CardModule, Rear termination Panel, + Mounting Screws, and Reference Manual