

## Instruction Manual



Pictured: A70H-RF/4

The A70H-RF Radar Rainfall Sensor is a sensor that uses radar wave technology to detect rainfall. It can distinguish the types and intensity of rain, snow and hail. Compared to that of a traditional mechanical rain gauge, the detection is more sensitive and fast, and there is no need to worry about the influence of the cover of leaves and other objects on the surface of the detector for rainfall detection, and no need for heating device to prevent icing. There are no moving parts inside of the product, which is maintenance free, small in size and low in energy consumption.

## FEATURES

- Easy Installation
- High Accuracy
- Maintenance Free
- Compact Size
- Main Aluminum Alloy Material
- Distinguish between rain, snow and hail

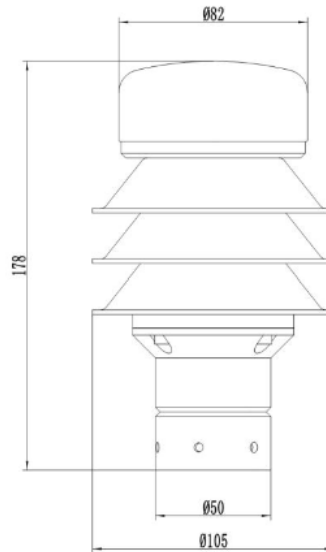
## APPLICATIONS

- Flood Control
- Hydrologic Monitoring
- Smart City
- Intelligent Agriculture
- Climate Research

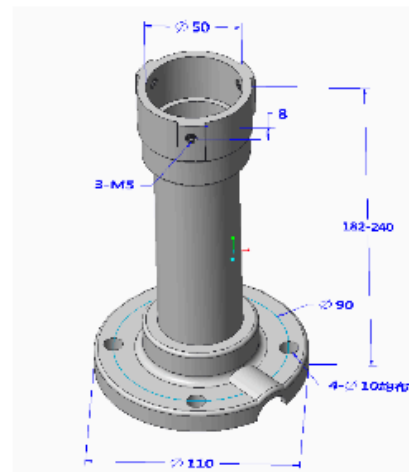
## SPECIFICATIONS

- Measurement: Rain, Snow and Hail
- Measured Rainfall Sensitivity: 0-4mm/min
- Sample Interval: 1s
- Resolution: 0.1mm
- Accuracy at 2mm/min:  $\pm 5\%$
- Power Consumption: 1.6W
- Supply Voltage: 7-24 VDC
- Output: RS485, SDI-12
- Operating Temperature: -30°C to 70°C
- Main Material: Aluminum Alloy and ABS
- Weight (Unpacked): 0.65 kg

## Dimensions



## Installation Accessories



## Optional mounting bracket

## Parameter Selection Table

Remark	Series	Type	Output	Supply	Mounting bracket	Cable Length	
RK							
	400						
		13					
			A				RS485
			B				RS232
			C				SDI-12
				A			7-24VDC
				X			Other
					A		Without bracket
					B		With bracket
						4000	Units:mm (typ.)
						...	Units:mm

Example: RK400-13AAA4000 Output:RS485, Supply:7-24VDC, Without bracket, Cable Length:4m.

## Intensity Scale

Rainfall intensity scale	
Scale	24-hour rainfall(mm)
Light rain	1-9.9
Moderate rain	10-24.9
Heavy rain	25-49.9
Rainstorm	50-99.9
Torrential rain	100-200
Super-Torrential rain	>200